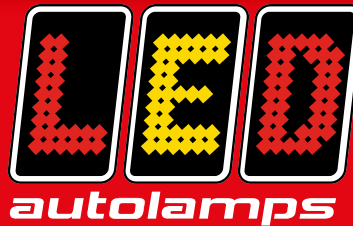


# New Product Bulletin



## STROBE / OVERRIDE ROTATING MULTIFUNCTION BEACON

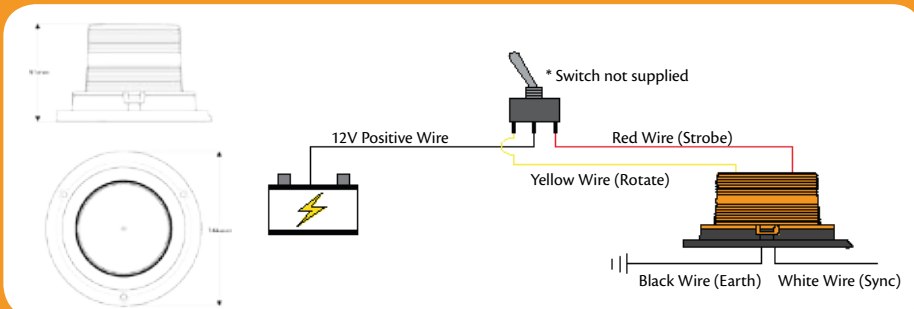
PART NO: 145ASRM



- DESIGNED FOR THE MINING INDUSTRY
- STROBE OR ROTATE AT THE FLICK OF A SWITCH
- SAE/J845 CLASS 1 - ROTATE
- SAE/J845 CLASS 2 - STROBE
- SYNCHRONISE MULTIPLE UNITS
- IP67 100% WATER/DUST PROOF
- HEAVY DUTY BUILD

The lamp has 4 wires, one for Earth (Black), one for Strobe (Red), one for rotating (Yellow) and one for Synchronisation (White). If only one function is to be used then you would connect that colour wire for the function required either strobe or rotate. To get the full benefit of the dual function feature simply connect all these wires to a 3-way switch. The lamps electronics is set up for Strobe (Red) and the Rotating (Yellow) overrides the strobe function.

Another alternative wiring option is the Strobe (Red) wire can be connected to the ignition switch so that the strobe function is engaged while the vehicle is running. A separate two-way switch is required for the Rotating (Yellow) feature. When this switch is turned on the strobe function is disabled, the rotating function is activated.



### SPECIFICATIONS

Part No	145ASRM
Package	Single Blister
Function	Rotate / Strobe Lamp
LEDs	12 x 3 Watt SMD LEDs
Pattern	130RPM Rotate, 90FPM Strobe
Voltage	11-32V
Warranty	3 Year Warranty
Cable	30cm Sheathed
Lens	Polycarbonate
Base	Aluminium
Mounting	Fixed Mount