

# RIVAL

## BULL BARS & UNDER ARMOUR



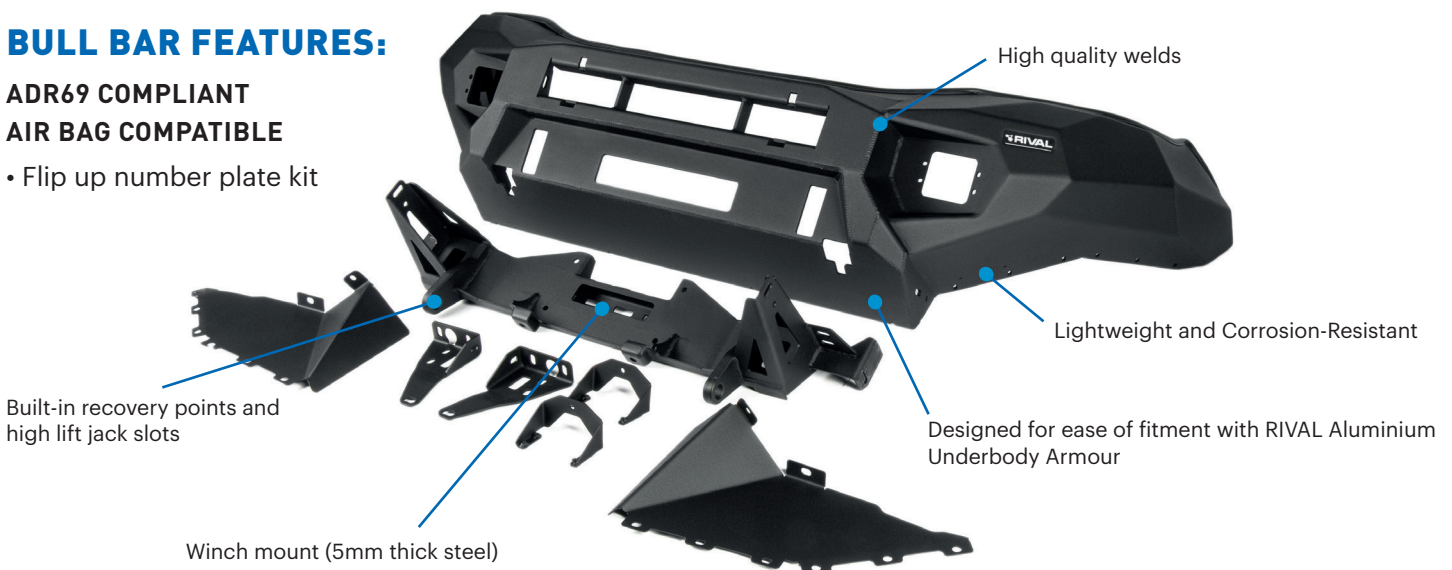
CoolDrive is pleased to announce that the full range of Rival 4X4 6mm aluminium Skid Plates and Bull bars are available to order through your local Cooldrive Auto Parts Branch!

Rival 4X4 Pioneered the hoop-less design more than 10 years ago in Australia, Rival is now a brand synonymous with quality, durability and uniqueness.

### BULL BAR FEATURES:

ADR69 COMPLIANT  
AIR BAG COMPATIBLE

- Flip up number plate kit

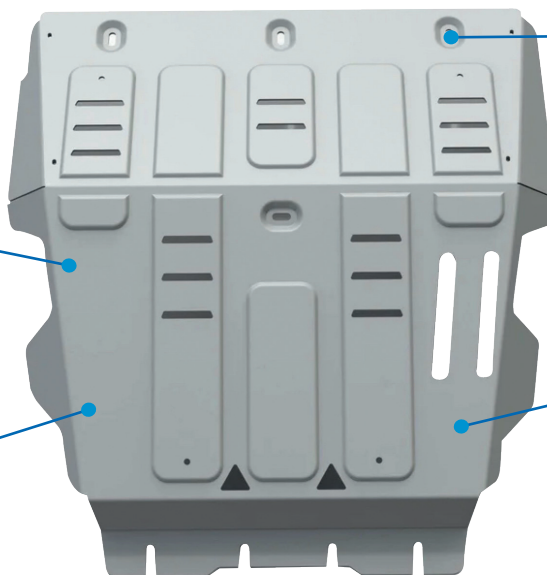


SEE OVERLEAF

## UNDER ARMOUR FEATURES:

Protects the underbody of your vehicle from rocks, logs and scrapes

Made from deep stamped 6mm thick Aluminium



No drill installation

Durable Underbody Armour offers both a lightweight and high strength solution for underbody protection

## FRONT & REAR BULL BAR

The Rival bull bars are winch compatible, come with rated tow hooks and are fully ADR compliant and air bag tested.

APPLICATION	TYPE	PART NUMBER
Toyota HiLux 2021-On	Front Bar	2D.5722.1-NL
Toyota HiLux 2015-2018		2D.5701.1.B-NL
Toyota HiLux 2018-2021		2D.5716.1-NL
Toyota HiLux 2011-2015		2D.5707.1.B-NL
Toyota HiLux 2011-On	Rear Bar	2D.5715.1-NL
Toyota LandCruiser 200 Series 2015-2021	Front Bar	2D.5719.1-NL
Toyota LandCruiser 200 Series 2008-2015		2D.5724.1-NL
Toyota LandCruiser Prado 2018-On	Front Bar	2D.5721.1-NL
VW Amarok 2010-2023	Front Bar	2D.5807.1-NL
	Rear Bar	2D.5806.1-NL
Ford Ranger PX1 PX2 PX3	Front Bar	2D.1808.1-NL
	Rear Bar	2D.1811.1-NL
Ford Ranger Next Gen Raptor	Front Bar	2D.1813.1-NL
Mitsubishi Triton MR 2019-On	Front Bar	2D.4011.1-NL
	Rear Bar	2D.4012.1-NL
Mitsubishi Triton MQ 2015-2019	Front Bar	2D.4001.1-NL
	Rear Bar	2D.4003.1-NL
Jeep Wrangler 2018-On	Rear Bar	2D.2723.2-NL
Nissan Navara D23 2015-2019	Front Bar	2D.4112.1-NL
	Rear Bar	2D.4111.1-NL
Isuzu D-Max 2017-2019	Front Bar	2D.9101.1-NL
	Rear Bar	2D.9102.1-NL
Isuzu D-Max 2021-On	Front Bar	2D.9106.1-NL
	Rear Bar	2D.9107.1-NL

## UNDER ARMOUR

Rival 4X4 is famous for deep stamped 6mm aluminium underbody armour that provides extra protection and strength to the vulnerable under carriage of the vehicle.

APPLICATION	UNDER ARMOUR	PART NUMBER
Toyota HiLux 2015-On / Toyota Fortuner 2015-On	Engine	2333.5710.1.6
	Transmission	2333.5711.1.6
Toyota HiLux 2015-On	Transfer Case	2333.5712.1.6
	Fuel Tank	2333.9505.1.6
Underbody Armour Toyota HiLux 2015-On	Lower Control Arms	2333.9525.1.6
Ford Ranger PX1 PX2 PX3 / Ford Everest 2015-2022 / Mazda BT-50 2011-2020	Radiator	2333.1841.1.6
	Engine	2333.1842.1.6
Ford Ranger PX1 PX2 PX3 / Mazda BT-50 2011-2020	Transmission	2333.1843.1.6
	Transfer Case	2333.1844.1.6
Ford Ranger PX1 PX2 PX3	Fuel Tank	2333.1845.1.6
	Lower Control Arms	2333.1863.1.6
Ford Ranger Next Gen / Ford Everest Next Gen	Radiator	2333.1884.1.6
Ford Ranger Next Gen / Ford Everest Next Gen / Ford Raptor Next Gen	Engine	2333.1885.1.6
Transmission Underbody Armour Ford Ranger Next Gen / Ford Everest Next Gen / Ford Raptor Next Gen	Transmission	2333.1886.1.6
	Transfer Case	2333.1887.1.6
Ford Ranger Next Gen	Fuel Tank	2333.1888.1.6
Ford Everest Next Gen / Ford Raptor Next Gen	Fuel Tank	2333.1889.1.6
Ford Ranger Next Gen / Ford Everest Next Gen	Lower Control Arms	2333.1890.1.6
Toyota LandCruiser 200 Series 2007-2021	Engine	2333.5713.2.6
Toyota LandCruiser 200 Series 2015-2021	Transmission	2333.5714.2.6

**MANY MORE PART NUMBERS AVAILABLE, PLEASE SEE ISHOP FOR MORE LISTINGS**