

New Product Bulletin

7 PIN FLAT TRAILER SOCKET WITH BUILT IN HEAVY DUTY BATTERY CONNECTOR



PART NUMBER: 82048BL

Heavy Duty Battery Connector installed (Grey plug and wiring not included)

NARVA®

THE VISION TO GO FURTHER

Built with the camping and caravan enthusiast in mind, this product is equally suitable for anyone that frequently tows vehicles requiring battery maintenance to the trailer, caravan battery or power for equipment operation. The 7-pin trailer plug delivers power to operate the standard stop, tail, reverse, indicator and licence plate light, whilst the built in HD battery connector delivers up to 50A of power to the battery to charge, maintain or power equipment like a fridge for long journeys or the work site.

Wiring

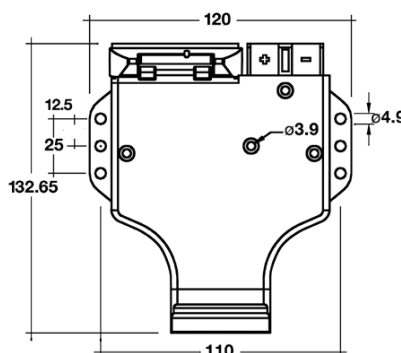
7 Pin Flat Plug & Socket

PIN No.	CIRCUIT	WIRE COLOUR
1	Left-hand turn	Yellow
2	Reversing signal	Black
3	Earth return	White
4	Right-hand turn	Green
5	Service brakes	Blue
6	Stop lamps	Red
7	Rear lamps, clearance & side marker lamps	Brown

7 Pin Socket



Dimensions and Mounting Holes



FEATURES:

- Super slim moulded housing which incorporates the common 7 pin flat socket with the addition of a 50A heavy duty battery connector
- Easy to mount and compatible with the standard mounting plate on most common tow bars
- Includes silver plated copper contacts to suit 8mm² (8B&S) cable

TECHNICAL SPECIFICATIONS:

7 Pin Flat Trailer Socket

Amp rating per pole 15A at 12V

Terminals accept up to 1.85mm² cable (4mm)

Heavy Duty Battery Connector

Amp rating 50A at 12V

Terminals accept 8mm² cable (8B&S)