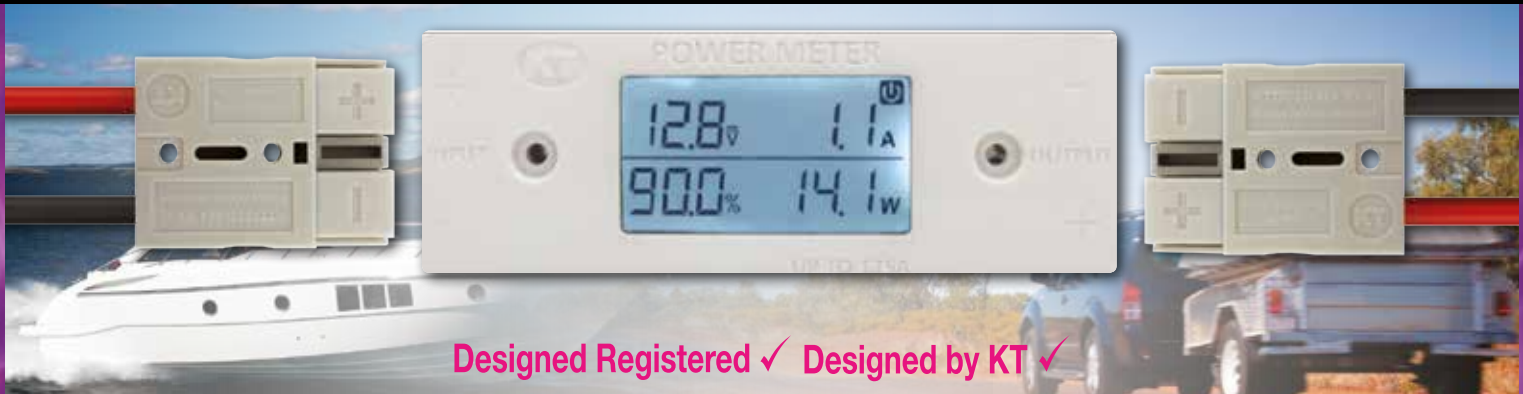


New Product Bulletin



100V 125A IN-LINE POWER METER



Designed Registered ✓ Designed by KT ✓

VIEW VOLTS, AMPS, WATTS & BATTERY PERCENTAGE IN REAL-TIME

The Innovative KT 100V, 125Amp In-Line Power Meter provides an easy way to view the Volts, Amps, Watts and Battery Percentage of your 12V devices by a simple touch of the LCD Display. This unit is suitable for use with any 12V application and ideal for use with Solar Panels, Camping & Marine Applications, 4x4 & Caravan Applications and more!

FEATURES

- Measure Volts, Amps, Watts and Battery Percentage of 12V devices in real-time
- LED Touch Display
- Display turns off automatically after 30 seconds
- Mounts easily to surfaces with 2 screws
- Easy to identify Input (Commonly known as source) and output (Commonly known as Load)
- Unique input & output designed to suit 50 Amp connectors
- One piece, durable unit with no messy cables
- Back-lit display provides clear, visible readings day & night
- IP67 rated - Dust proof, Shock proof & Splash proof
- Dimensions: 100mm x 35mm x 20mm
- Housing manufactured from durable polycarbonate



100V 125A

Input & Output suits
50Amp Heavy Duty
Connectors

View Volts, Amps, Watts &
Battery Percentage

SPECIFICATION	
Suitable for use with	12V Appliances
Max Power Voltage	100 Volt
Max Power Current	125 Amp
Dimensions	100mm x 35mm x 20mm

BATTERY LEVEL (GUIDE ONLY)		BATTERY LEVEL
12 Volt	13.2 Volt	100%
24 Volt	25.5 Volt	100%
48 Volt	50.9 Volt	100%

Part Number: KT70752

IMPORTANT INFORMATION: Not suitable for mounting in vehicle engine bays. Suitable for use in temperatures of -30°C to 80°C.

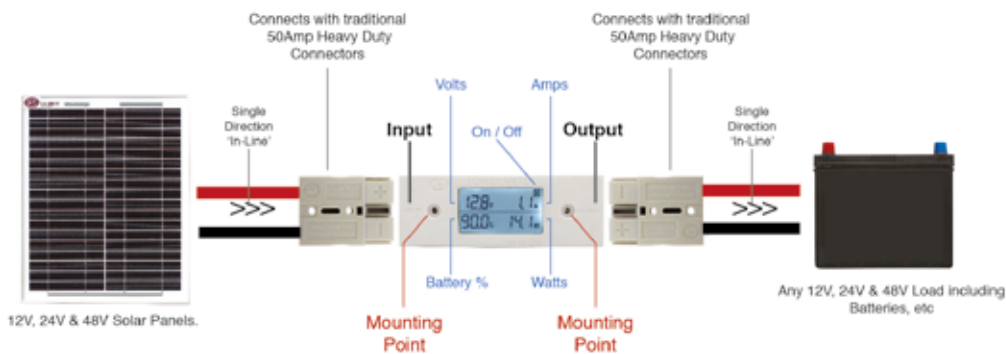
New Product Bulletin



100V 125A IN-LINE POWER METER

KT 125Amp, 100V In-Line Power Meter

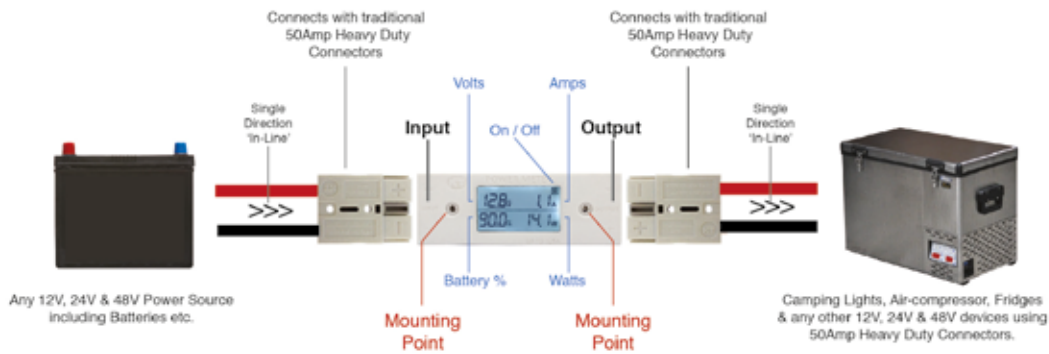
Solar Panel to Battery Readings (12V / 24V / 48V)



The KT Power Meter will provide Volts, Amps, Watts and Battery Percentage Readings from Solar Panel to Battery. If connecting a 12V application through Input, you must be measuring a 12V application through output.

KT 125Amp, 100V In-Line Power Meter

Battery to Device Readings (12V / 24V / 48V)



Will provide Volts, Amps, Watts and Battery Percentage Readings from Battery to Fridge.

IMPORTANT INFORMATION:

When using the KT 125A, 100V In-line Power Meter ensure that the Input Voltage matches the Output Voltage.

See examples below.

12V Battery through Input to 12V Device through output

24V Battery through Input to 24V Device through output

48V Battery through Input to 48V Device through output

Failure to follow this guide may result in damage to applications.



WARRANTY
Offers a 12 month warranty on manufacture build.



SUITABLE APPLICATIONS
Marine, Caravan, 4WD, 12V Solar, Camping & all other 12V Applications



PACKAGED IN FULL COLOUR BOX
The KT 100V, 125A In-Line Power Meter is packaged in a full colour durable box for presentation in retail stores.