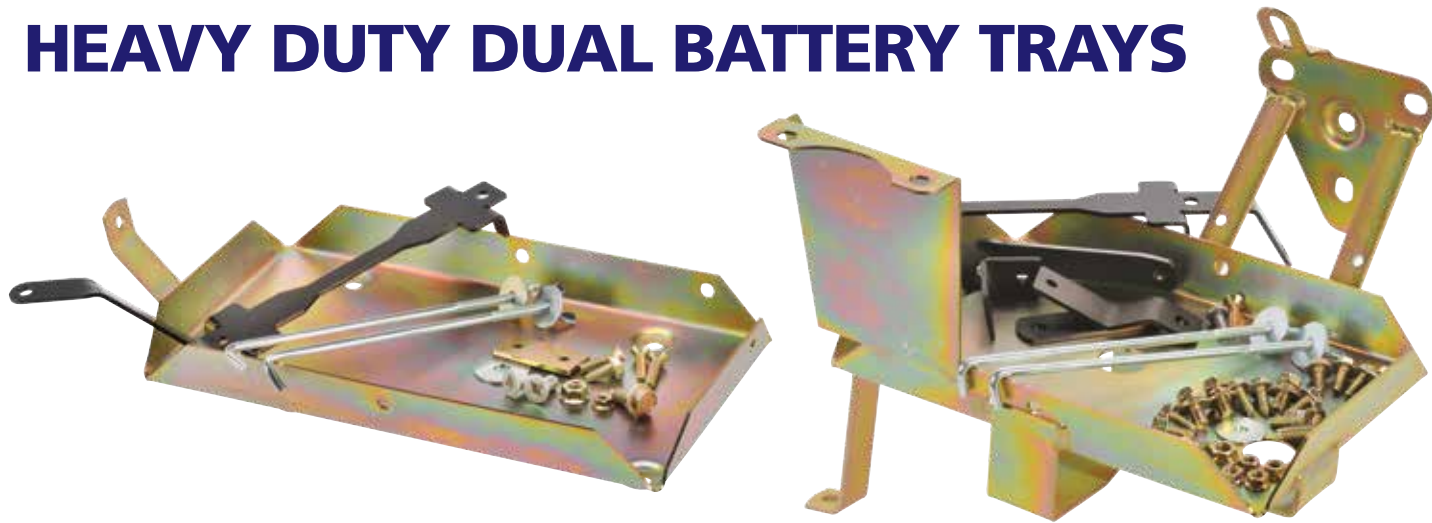




HEAVY DUTY DUAL BATTERY TRAYS



Projecta's latest Heavy Duty Battery Trays provide the ideal solution when mounting an auxiliary battery into a vehicles engine bay. The range has been engineered and designed to fit specific vehicle types meaning the battery trays can be installed without the inconvenience of having to modify the battery tray or parts of the vehicle.

Made to last, the dual battery trays are constructed from 2mm heavy duty rust and corrosion resistant passivated zinc coated steel and include all necessary mounting hardware for easy hassle free installation.

AVAILABLE TO SUIT THE FOLLOWING MAKES AND MODELS:

FORD

Part No. HDBT250

Suits: Ford Ranger WLT – 2.5 Litre Turbo Diesel & 3.0 Litre Diesel

Models: Manual

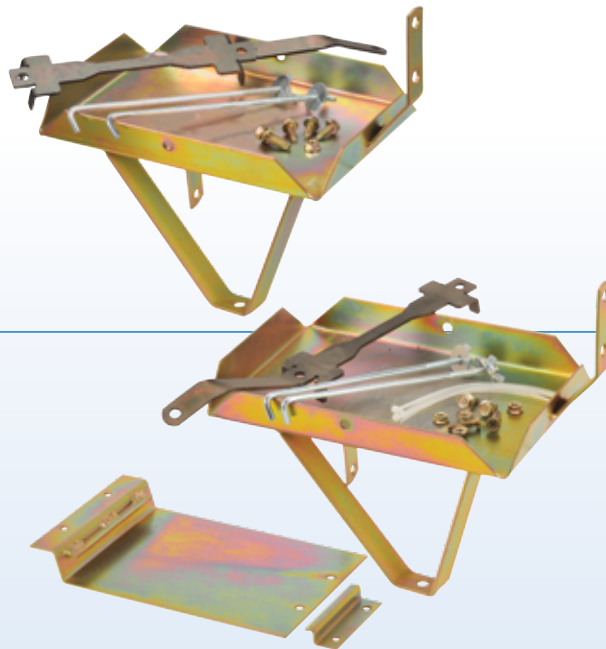
Years: 2007–2011

Max Battery Size (mm):

L265 x W174 x H220

Max Battery Weight: 18Kg

Suits Battery: N50



Part No. HDBT252

Suits: Ford Ranger WLT – 2.5 Litre Turbo Diesel & 3.0 Litre Diesel

Models: Auto

Years: 2007–2011

Max Battery Size (mm):

L265 x W174 x H220

Max Battery Weight: 18Kg

Suits Battery: N50



Part No. HDBT254

Suits: Ford PX Ranger

Models: Auto/Manual

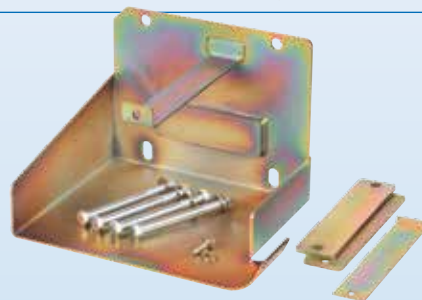
Years: October 2011 onwards

Max Battery Size (mm):

L326 x W165 x H242

Max Battery Weight: 27.2Kg

Suits Battery: Optima D31

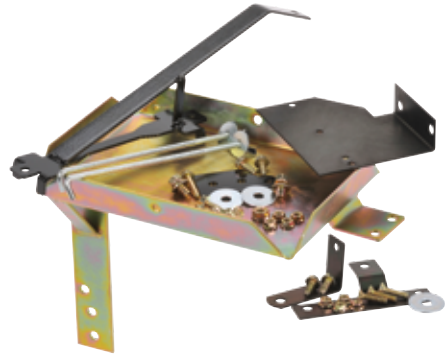




HOLDEN

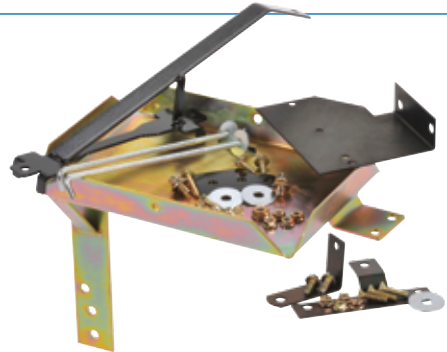
Part No. HDBT350

Suits: Colorado RGD 2.8 Litre Diesel
Models: Auto/Manual
Years: 2011 onwards
Max Battery Size (mm):
L265 x W174 x H200
Max Battery Weight: 19.6Kg
Suits Battery: N50 (AGM)



Part No. HDBT350

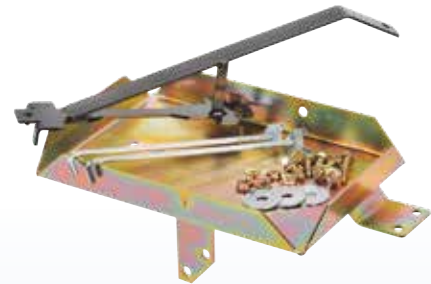
Suits: Colorado 7 RGD 2.8 Litre Diesel
Models: Auto/Manual
Years: 2011 onwards
Max Battery Size (mm):
L265 x W174 x H200
Max Battery Weight: 19.6Kg
Suits Battery: N50 (AGM)



ISUZU

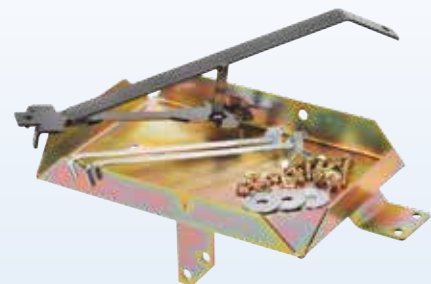
Part No. HDBT400

Suits: Dmax 3 Litre 4JJ1-TC
Turbo Diesel
Models: Auto/Manual
Years: 2012 onwards
Max Battery Size (mm):
L265 x W174 x H200
Max Battery Weight: 19.6Kg
Suits Battery: N50 (AGM)



Part No. HDBT400

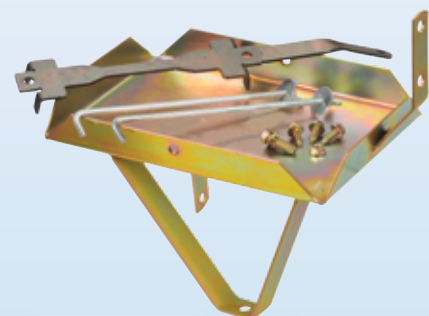
Suits: MU-X 3 Litre 4JJ1-TC
Turbo Diesel
Models: Auto/Manual
Years: 2012 onwards
Max Battery Size (mm):
L265 x W174 x H200
Max Battery Weight: 19.6Kg
Suits Battery: N50 (AGM)



MAZDA

Part No. HDBT250

Suits: B50 WLT – 2.5 Litre Turbo
Diesel & 3.0 Litre Diesel
Models: Manual
Years: 2007–2011
Max Battery Size (mm):
L265 x W174 x H220
Max Battery Weight: 18Kg
Suits Battery: N50





MAZDA (continued)

Part No. HDBT252

Suits: B50 WLT – 2.5 Litre Turbo Diesel & 3.0 Litre Diesel

Models: Auto

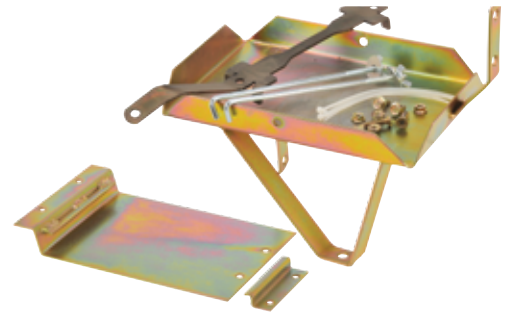
Years: 2007–2011

Max Battery Size (mm):

L265 x W174 x H220

Max Battery Weight: 18Kg

Suits Battery: N50



Part No. HDBT254

Suits: BT50

Models: Auto/Manual

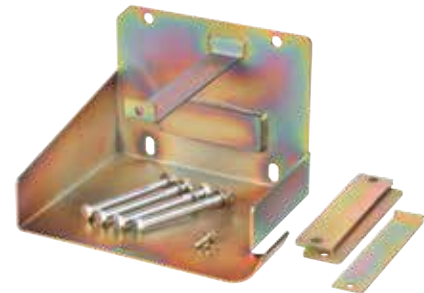
Years: October 2011 onwards

Max Battery Size (mm):

L326 x W165 x H242

Max Battery Weight: 27.2Kg

Suits Battery: Optima D31



MITSUBISHI

Part No. HDBT200

Suits: Pajero NM-NW, 4M41 DID 3.2 Litre & 6G74 3.5 Litre V6 Petrol

Models: Auto/Manual

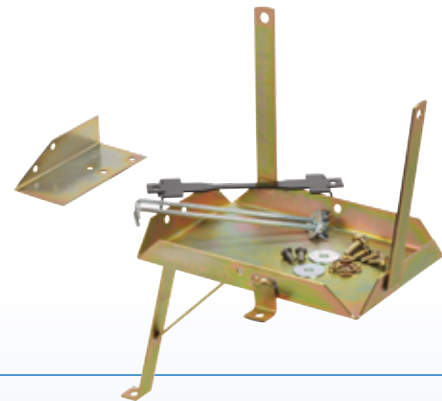
Years: 2000 onwards

Max Battery Size (mm):

L265 x W174 x H220

Max Battery Weight: 18Kg

Suits Battery: N70



Part No. HDBT202

Suits: Triton 4M41 DID 3.2 Litre & 4D56 2.5 Litre Turbo Diesel. 6G74 3.5 Litre V6 Petrol & 4G64 2.4 Litre Petrol

Models: Auto/Manual

Years: 2006 onwards

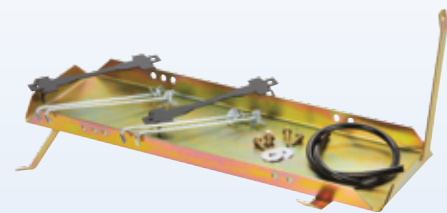
Max Battery Size (mm):

L300 x W174 x H 220 (Petrol)

L265 x W174 x H220 (Diesel)

Max Battery Weight: 23Kg Petrol, 18Kg Diesel

Suits Battery: N70 (Petrol), N50 (Diesel)



NISSAN

Part No. HDBT150

Suits: Patrol GQ Diesel TD42, 4.2 Litre Diesel & TBS42S, 4.2 Litre Petrol with Carburettor

Models: Auto/Manual

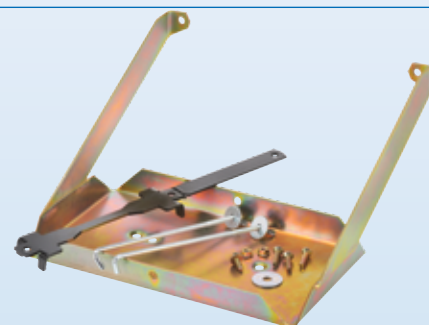
Years: 1989–1997

Max Battery Size (mm):

L300 x W174 x H220

Max Battery Weight: 23Kg

Suits Battery: N70





NISSAN (continued)

Part No. HDBT152

Suits: Patrol GU TD42 4.2 Litre & 3 Litre TDI

Models: Auto/Manual

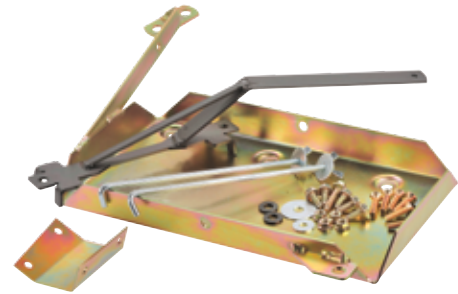
Years: 1999–2014

Max Battery Size (mm):

L300 x W174 x H220

Max Battery Weight: 23Kg

Suits Battery: N70



Part No. HDBT154

Suits: Navara D22 2.5 Litre Diesel

Models: Auto/Manual

Years: 2008 onwards

Max Battery Size (mm):

L300x W175 x H220 (No Snorkel fitted)

L265 x W175 H220 (Snorkel fitted)

Max Battery Weight: 22Kg (No snorkel fitted) 17Kg (Snorkel fitted)

Suits Battery: N70 (No snorkel fitted), N50 (Snorkel fitted)



TOYOTA

Part No. HDBT100

Suits: Landcruiser 70 Series with ABS V8 Wagon/Ute

Models: Auto/Manual

Years: 2007 onwards

Max Battery Size (mm):

L300 x W175 x H220

Max Battery Weight: 24Kg

Suits Battery: N70 (AGM)



Part No. HDBT102

Suits: Landcruiser 80 Series Diesel 1HZD / 1HDT / 1HDFT TD

Models: Auto/Manual

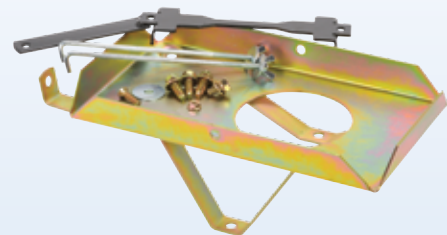
Years: 1990–1998

Max Battery Size (mm):

L304 x W174 x H225

Max Battery Weight: 23Kg

Suits Battery: N70



Part No. HDBT104

Suits: Landcruiser 100 & 105 Series 1HDFTE 6Cyl, 4.2 TDI All (Can be used as a 3rd tray for models 1HZ 6 cylinder 4.2 Diesel, 1FZFE 6 cylinder 4.5l Petrol)

Models: Auto/Manual

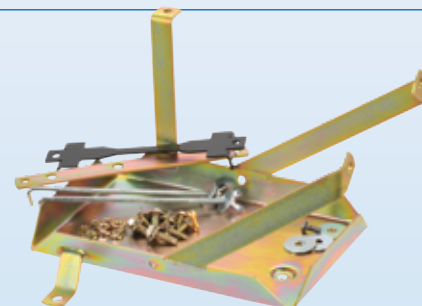
Years: 1998– 2007

Max Battery Size (mm):

L265 x W174 x H220

Max Battery Weight: 21Kg

Suits Battery: N50

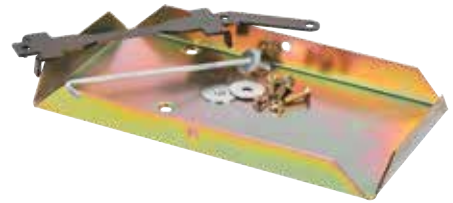




TOYOTA (continued)

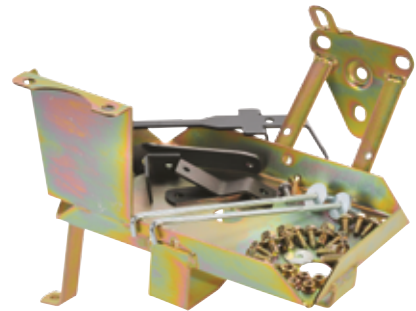
Part No. HDBT106

Suits: Landcruiser 100 Series 1HZ 4.2 Litre Diesel, 1FZ-FE – 4.5Ltr Petrol
Models: Auto/Manual
Years: 1998–2007
Max Battery Size (mm): L304 x W175 x H225
Max Battery Weight: 23Kg
Suits Battery: N70



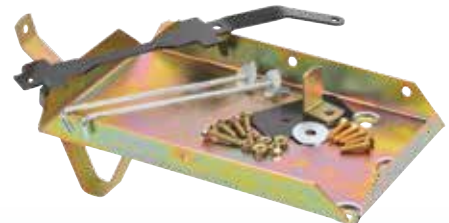
Part No. HDBT108

Suits: Landcruiser 200 Series 1VD-FTV V8 TDI
Models: Auto/Manual
Years: November 2007 onwards
Max Battery Size (mm): L265 x W175 x H220
Max Battery Weight: 19Kg
Suits Battery: N50 (AGM)



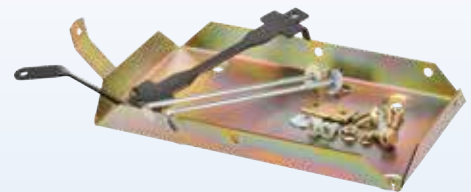
Part No. HDBT110

Suits: Prado 120 Diesel 1KD-FTV, 3.0 Litre Turbo Diesel
Models: Auto/Manual
Years: 2003–2009
Max Battery Size (mm): L300 x W174 x H220
Max Battery Weight: 23Kg
Suits Battery: N70



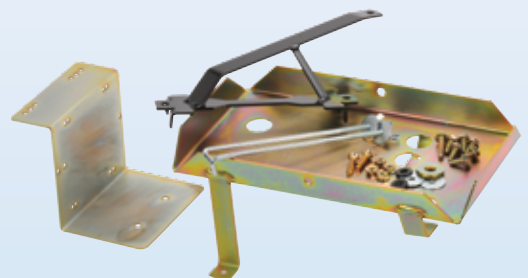
Part No. HDBT112

Suits: Prado 150 Diesel 1KD-FTV, 3.0 Litre Turbo Diesel
Models: Auto/Manual
Years: January 2010 onwards
Max Battery Size (mm): L300 x W174 x H220
Max Battery Weight: 23Kg
Suits Battery: N70



Part No. HDBT114

Suits: Hilux Diesel 1KD-FTV, 3.0 Litre Turbo Diesel & 1 GR-FE, 4.0 Litre V6 Petrol
Models: Auto/Manual
Years: 2005 onwards
Max Battery Size (mm): L300 x W174 x H220
Max Battery Weight: 23Kg
Suits Battery: N70





PRODUCT LIST:

Part No.	HDBT100
Description	Heavy-duty Dual Battery Tray to suit Toyota Landcruiser 70 Series
Barcode	9315219101013
Availability	Ex Stock
Carton Qty.	1
Part No.	HDBT102
Description	Heavy-duty Dual Battery Tray to suit Toyota Landcruiser 80 Series
Barcode	9315219101020
Availability	Ex Stock
Carton Qty.	1
Part No.	HDBT104
Description	Heavy-duty Dual Battery Tray to suit Toyota Landcruiser 100 Series 1HDFTE 6Cyl, 4.2 TDI
Barcode	9315219101037
Availability	Ex Stock
Carton Qty.	1
Part No.	HDBT106
Description	Heavy-duty Dual Battery Tray to suit Toyota Landcruiser 100 Series 1HZ 4.2Litre Diesel, 1FZ-FE – 4.5Ltr Petrol
Barcode	9315219101044
Availability	Ex Stock
Carton Qty.	1
Part No.	HDBT108
Description	Heavy-duty Dual Battery Tray to suit Toyota Landcruiser 200 Series
Barcode	9315219101051
Availability	Ex Stock
Carton Qty.	1
Part No.	HDBT110
Description	Heavy-duty Dual Battery Tray to suit Toyota Prado 120 Diesel
Barcode	9315219101068
Availability	Ex Stock
Carton Qty.	1
Part No.	HDBT112
Description	Heavy-duty Dual Battery Tray to suit Toyota Prado 150 Diesel
Barcode	9315219101075
Availability	Ex Stock
Carton Qty.	1
Part No.	HDBT114
Description	Heavy-duty Dual Battery Tray to suit Toyota Hilux Diesel
Barcode	9315219101082
Availability	Ex Stock
Carton Qty.	1
Part No.	HDBT150
Description	Heavy-duty Dual Battery Tray to suit Nissan GQ Patrol Diesel
Barcode	9315219101099
Availability	Ex Stock
Carton Qty.	1

Part No.	HDBT152
Description	Heavy-duty Dual Battery Tray to suit Nissan GU Patrol
Barcode	9315219101112
Availability	Ex Stock
Carton Qty.	1
Part No.	HDBT154
Description	Heavy-duty Dual Battery Tray to suit Nissan D22 Navara
Barcode	9315219101129
Availability	Ex Stock
Carton Qty.	1
Part No.	HDBT200
Description	Heavy-duty Dual Battery Tray to suit Mitsubishi Pajero
Barcode	9315219101136
Availability	Ex Stock
Carton Qty.	1
Part No.	HDBT202
Description	Heavy-duty Dual Battery Tray to suit Mitsubishi Triton
Barcode	9315219101143
Availability	Ex Stock
Carton Qty.	1
Part No.	HDBT250
Description	Heavy-duty Dual Battery Tray to suit Mazda B50 & Ford Ranger (Manual)
Barcode	9315219101150
Availability	Ex Stock
Carton Qty.	1
Part No.	HDBT252
Description	Heavy-duty Dual Battery Tray to suit Mazda B50 & Ford Ranger (Auto)
Barcode	9315219101167
Availability	Ex Stock
Carton Qty.	1
Part No.	HDBT254
Description	Heavy-duty Dual Battery Tray to suit Mazda BT50 & Ford Ranger
Barcode	9315219101174
Availability	Ex Stock
Carton Qty.	1
Part No.	HDBT350
Description	Heavy-duty Dual Battery Tray to suit Holden Colorado & Colorado 7
Barcode	9315219101181
Availability	Ex Stock
Carton Qty.	1
Part No.	HDBT400
Description	Heavy-duty Dual Battery Tray to suit Isuzu Dmax & MU-X
Barcode	9315219101198
Availability	Ex Stock
Carton Qty.	1

ALSO AVAILABLE:

IDC25	3 Stage DC/Solar Battery Charger
VSR100	12V 100A Voltage Sensitive Relay
VSR200	12V 200A Voltage Sensitive Relay
VSR100K	12V 100A Voltage Sensitive Relay Kit
DBC100	12V 100A Electronic Isolator

DBC150	12V 150A Electronic Isolator
DBC100K	12V 100A Electronic Isolator Kit
DBC150K	12V 150A Electronic Isolator Kit
DBC150TK	12V 150A Electronic Isolator Kit for use with Trailer Mounted Auxiliary Battery



PROJECTA
more switched on

Cool Drive
DISTRIBUTION