



5.5" Rectangular LED Worklamp Reverse Lamp

Experience the Ignite IWL408F 5.5" Rectangular LED Worklamp/Reverse Lamp & witness exceptional performance, durability, and versatility. With a 5-year warranty and a wide range of applications, it's the perfect choice for all your lighting needs.

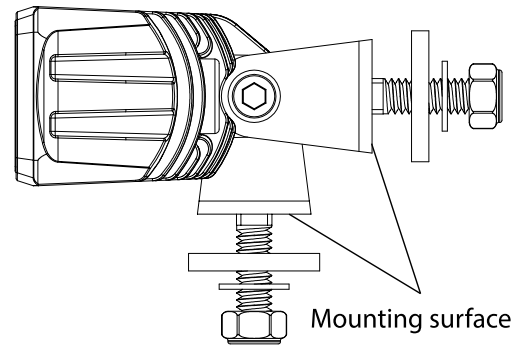
Versatile Applications

Choose between flush mount or surface mount for the perfect setup.

Part No: IWL408F

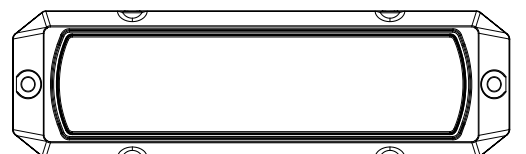
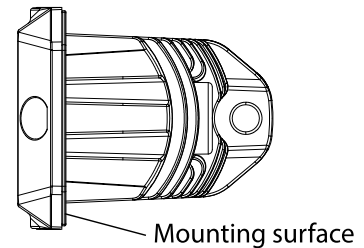
OPTION 1

Surface Mount



OPTION 2

Flush Mount



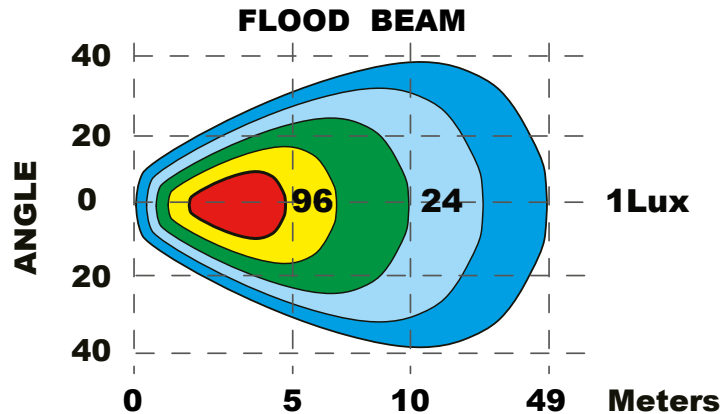
Can be used many different applications

- Worklamp • Awning Lamp • Interior Lamp • Courtesy Lamp • Deck Lamp • Tub Lamp • ECE Approved as a Reverse Lamp

Key Features

80° x 60° Flood (Spread) Beam Pattern

Illuminate a wide area with a perfectly spread beam of light.



Impressive Lumens Output

With 3,200 raw lumens and 2,700 effective lumens, it offers a clear and bright light with a colour temperature of 6,000K.

High-Intensity LP LED's

Benefit from the power of 4 x 8 Watt high-intensity LED's (32 Watt in total) for unparalleled visibility.

Advanced Optic System Technology

Experience optimised light output with the side reflector optic system and Lexan polycarbonate lens.

Industry Certification

ECE R10, R23 CE Approved and EMC Compliant, CISPR 25 Class 3 Certified.

Designed for Durability

Anodised Polyester Coated Die-Cast Aluminium Housing

Built to withstand the toughest conditions.

Built to Withstand Extreme Environments

With an IP68 and IP69K rating, this lamp is proven to be watertight and dustproof. UV, water, and shock resistant up to 20G.

Anti-Rust, Corrosion, and Freezing Resistance

Enjoy long-lasting performance in any weather condition.

Safety First

Includes Over and Under Voltage protection as well as Reverse Polarity Protection.

Integrated Electronic Thermal Management System

Prevents overheating and ensures optimal performance.

Easy Installation

Stainless Steel Components

Provided with stainless steel bolts and u-metal bracket for easy installation.

Plug and Play

300mm lead with 2 Pin Deutsch Plug for fast and convenient connection.

Dimensions

140mm W x 52mm H x 61mm D